



DESIGNED AND MANUFACTURED FOR COMMERCIAL KITCHENS

8" IMMERSION BLENDER

CS-80

Powerful grade DC motor
with thermal reset protector

Stainless steel 8" shaft and blade

Comfort grip design with
momentary 2 speed controls
high and low

Dishwasher safe detachable shaft
for easy cleaning



**DISHWASHER
SAFE
DETACHABLE
SHAFT**



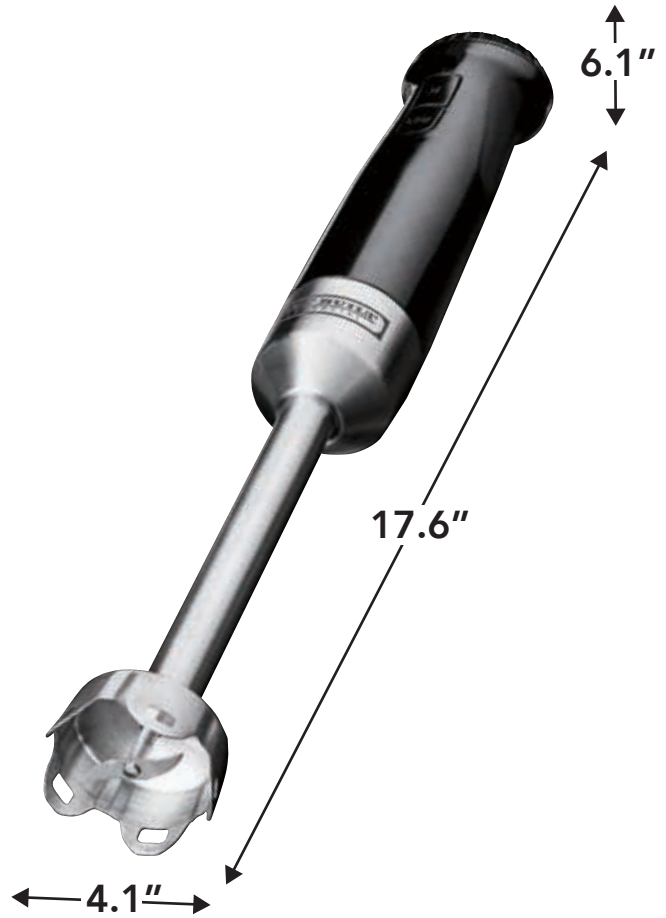
www.chefbuiltcommercial.com




DESIGNED AND MANUFACTURED FOR COMMERCIAL KITCHENS

8" IMMERSION BLENDER

CS-80



SPECIFICATIONS						
ITEM	ELECTRICAL	PLUG-TYPE	CERTIFICATION	DIMENSIONS H x W x D	BLENDER SHAFT LENGTH	WARRANTY
18066	120V~60Hz 150W	 NEMA 5-15P Polarized	ETLus, ETLsanitation	17.6" x 4.1" x 6.1"	8"	Limited 1 Year

ORDERING INFORMATION						
DESCRIPTION	MODEL #	STD PKG.	SHIP WEIGHT (lbs)	CUBIC FEET	UPC CODE	
CHEF-BUILT™ 8" IMMERSION BLENDER	CS-80	1	3.06 lbs	0.80	829486-18066-8	

For Sales and Inquiry call 1-866-832-4843 or e-mail help@chefbuiltcommercial.com
www.chefbuiltcommercial.com

CHEF-BUILT™ is a registered trademark of 8479950 Canada Inc., Montreal, Canada H3B 3X9. All rights reserved.